

The company reserves the right to change the sample data as continuous improvement is maintained.

fortoone

- Hose assembly
- Welded flange
- Transition joint

Since 1972
48°



fortoone

HYDRAULIC TECH

☎ 0086-536-2143 000

**Weifang Fortoone Hydraulic
Technology Co., Ltd.**

No.60 Zhujiang Road, Xin'an street, Anqiu City,
Weifang City, Shandong Province, China

E-mail: hongtao@fortoone.cn

www.fortoone.cn

www.fortoone.cn

LEADING SUPPLIER OF HYDRAULIC PRODUCTS

Weifang Fortoone Hydraulic Technology Co., Ltd.

Weifang Fortoone Hydraulic Technology Co., Ltd. specializes in the design, manufacture, and sales of hydraulic pipe fittings, hose assemblies, and steel tube assembly products, providing customers with hydraulic technology solutions based on extraordinary scientific research strength and high execution efficiency.

The company occupies a land area of 78 mu, with the phase I construction area of 20,000 m², assets of 90 million yuan, the annual production capacity of 30 million pipe fittings, 2 million hose assemblies, and 1.5 million hard tube assemblies.

Upholding the core values of "Exceed customer needs and enhance customer value", the company has built a product system that meets the requirements of low-, medium-, high-, and ultrahigh-pressure hydraulic systems through a complete component production chain. It has also established strategic partnerships with many domestic and foreign machinery manufacturers and become one of the most powerful hydraulic equipment integrated suppliers in China.



Hose assembly



Steel tube assembly



Forging



Machining



Surface treatment

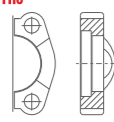
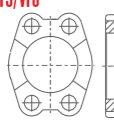
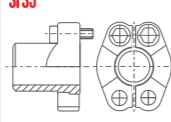
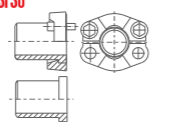
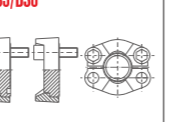
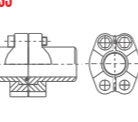
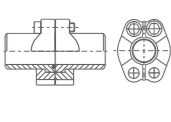
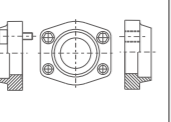
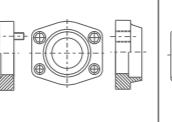
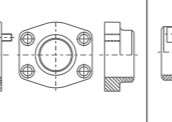
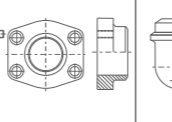
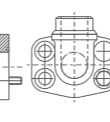
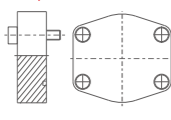
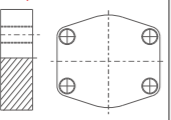
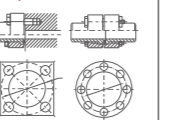
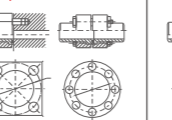
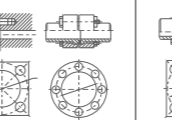
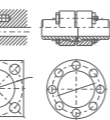
CONTENTS

Welded flange	02
Ferrule flange	18
Index	22
Memo	23
Contact information	24



Welded flange joint

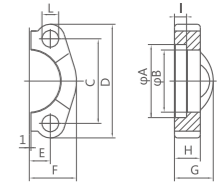
03/17

FH3/FH6  P/03	VF3/VF6  P/03	SFS3  P/04	SFS6  P/05	BS3/BS6  P/06	DSFS3  P/07
DSFS6  P/08	AFLA3/AFL3  P/09	AFLA6/AFL6  P/09	AFLA3/AFL3  P/10	AFLA6/AFL6  P/11	AFW3/AFW6  P/11
AFC1/AFC4  P/12	GFC1/GFC4  P/13	VKA2/VKK2  P/14	VKA3/VKK3  P/15	VKA4/VKK4  P/16	VKA5/VKK5  P/17

SAE-Split flange

Characteristics

Structure type: SAE-Split flange
Structure form: Split
Standard: SAE J 518C, ISO 6162
Material: carbon steel / stainless steel
Surface protection: Trivalent chromium environmental protection zinc

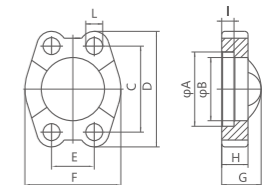


Model PSI	Code PART NO.	Working pressure BAR	Nominal size S.A.E	DIMENSIONS											Bolt M	Weight kg
				A	B	C	D	E	F	G	H	I	L			
3000	FH3001	345	1/2"	30.96	24.26	38.1	54	8.74	22.8	19	13	6.22	9	M8x25	0.07	
	FH3002	345	3/4"	38.89	32.13	47.63	65	11.13	25.9	22	14	6.22	11	M10x30	0.09	
	FH3003	345	1"	45.24	38.48	52.37	70	13.08	29.2	24	16	7.49	11	M10x30	0.11	
	FH3004	276	1 1/4"	51.59	43.69	58.72	79	15.09	36.3	22	16	7.49	11	M10x35	0.15	
	FH3005	207	1 1/2"	61.09	50.8	69.85	94	17.86	41.1	25	16	7.49	13	M12x35	0.23	
	FH3006	207	2"	72.24	62.74	77.77	102	21.44	48.2	26	16	9.02	13	M12x35	0.25	
	FH3007	172	2 1/2"	84.94	74.93	88.9	114	25.4	54.1	38	19	9.02	13	M12x40	0.37	
	FH3008	138	3"	102.39	90.93	106.38	135	30.96	65.3	41	22	9.02	17	M16x45	0.65	
	FH3009	34	3 1/2"	115.1	102.36	120.65	152	34.92	69.5	28	22	10.72	17	M16x45	0.75	
	FH3010	34	4"	127.79	115.06	130.18	162	38.88	76	35	25	10.72	17	M16x50	0.84	
6000	FH6001	420	1/2"	32.54	24.64	40.49	56	9.12	23.6	22	16	7.24	9	M8x30	0.08	
	FH6002	420	3/4"	42.06	32.51	50.8	71	11.91	30	28	19	8.26	11	M10x35	0.18	
	FH6003	420	1"	48.41	38.86	57.13	81	13.89	34.8	33	24	9.02	13	M12x45	0.27	
	FH6004	420	1 1/4"	54.76	44.45	66.68	95	15.88	38.6	38	27	9.78	15	M14x50	0.4	
	FH6005	420	1 1/2"	64.29	51.56	79.38	113	18.26	47.5	43	30	12.07	17	M16x55	0.68	
	Fh6006	420	2"	80.16	67.56	96.82	133	22.23	56.9	52	37	12.07	21	M20x65	1.05	

SAE-Integral flange

Characteristics

Structure type: SAE-Integral flange
Structure form: Through
Fixed: Screw hole
Standard: SAE J 518C, ISO 6162
Material: carbon steel / stainless steel
Surface protection: Trivalent chromium environmental protection zinc

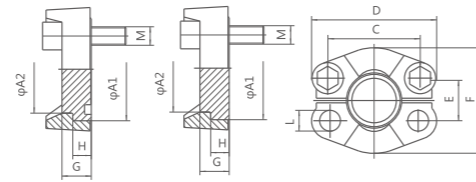


Model PSI	Code PART NO.	Working pressure BAR	Nominal size S.A.E	DIMENSIONS											Bolt M	Weight kg
				A	B	C	D	E	F	G	H	I	L			
3000	VF3001	345	1/2"	30.96	24.26	38.1	54	17.48	45.6	19	13	6.22	9	M8x25	0.15	
	VF3002	345	3/4"	38.89	32.13	47.63	65	22.23	51.8	22	14	6.22	11	M10x30	0.17	
	VF3003	345	1"	45.24	38.48	52.37	70	26.19	58.4	24	16	7.49	11	M10x35	0.22	
	VF3004	276	1 1/4"	51.59	43.69	58.72	79	30.18	72.6	22	16	7.49	11	M10x35	0.30	
	VF3005	207	1 1/2"	61.09	50.8	69.85	94	35.71	82.2	25	16	7.49	13	M12x35	0.45	
	VF3006	207	2"	72.24	62.74	77.77	102	42.88	96.4	26	16	9.02	13	M12x35	0.50	
	VF3007	172	2 1/2"	84.94	74.93	88.9	114	50.8	108.2	38	19	9.02	13	M12x35	0.74	
	VF3008	138	3"	102.39	90.93	106.38	135	61.936	130.6	41	22	9.02	17	M16x50	1.30	
	VF3009	34	3 1/2"	115.1	102.36	120.65	152	69.85	139	28	22	10.72	17	M16x50	1.50	
	VF3010	34	4"	127.79	115.06	130.18	162	77.77	152	35	25	10.72	17	M16x50	1.65	
6000	VF6001	420	1/2"	32.54	24.64	40.49	56	18.24	47.2	22	16	7.24	9	M8x30	0.16	
	VF6002	420	3/4"	42.06	32.51	50.8	71	23.8	60	28	19	8.26	11	M10x35	0.35	
	VF6003	420	1"	48.41	38.86	57.13	81	27.76	69.9	33	24	9.02	13	M12x45	0.53	
	VF6004	420	1 1/4"	54.76	44.45	66.68	95	31.75	77.2	38	27	9.78	15	M14x50	0.80	
	VF6005	420	1 1/2"	64.29	51.56	79.38	113	36.5	95	43	30	12.07	17	M16x55	1.35	
	VF6006	420	2"	80.16	67.56	96.82	133	44.45	113.8	52	37	12.07	21	M20x65	2.10	

SAE-Single head blank cap flange joint

Characteristics

Structure type: SAE-Single head flange joint
 Structure form: Through
 Fixed: Screw hole
 Standard: SAE J518C, ISO 6162
 Material: carbon steel
 Surface protection: Trivalent chromium environmental protection zinc



Model PSI	Code PART NO.	Working pressure BAR	Nominal size S.A.E	DIMENSIONS										Bolt M	Weight kg
				A1	A2	C	D	E	F	G	H	L			
3000	BS 3001	345	1/2"	30.2	23.9	38.1	54	17.48	45.6	16	6.9	9	M8x25	0.03	
	BS 3002	345	3/4"	38.1	31.7	47.63	65	22.23	51.8	17	6.9	11	M10x30	0.05	
	BS 3003	345	1"	44.4	38.1	52.37	70	26.19	58.4	17	8.1	11	M10x30	0.08	
	BS 3004	276	1 1/4"	50.8	42.3	58.72	79	30.18	72.6	17	8.1	11	M10x30	0.11	
	BS 3005	207	1 1/2"	60.3	50.3	69.85	94	35.71	82.2	19	8.1	13	M12x35	0.16	
	BS 3006	207	2"	71.4	62.2	77.77	102	42.88	96.4	19	9.7	13	M12x35	0.27	
	BS 3007	172	2 1/2"	84.1	74	88.9	114	50.8	108	40	9.5	13	M12x35	0.90	
	BS 3008	138	3"	101.6	90	106.38	135	61.93	130.6	45	9.5	17	M16x50	1.30	
	BS 3009	34	3 1/2"	114.3	102	120.65	152	69.85	139	30	11.2	17	M16x50	1.80	
	BS 3010	34	4"	127	114	130.18	162	77.77	152	36	11.2	17	M16x50	2.11	
6000	BS 6001	420	1/2"	31.7	23.9	40.39	56	18.24	47.2	18	7.9	9	M8x30	0.04	
	BS 6002	420	3/4"	41.3	31.7	50.8	71	23.8	60	15	8.9	11	M10x35	0.08	
	BS 6003	420	1"	47.6	38.1	57.15	81	27.76	69.6	16	9.7	13	M12x45	0.12	
	BS 6004	420	1 1/4"	54	43.7	66.68	95	31.75	77.2	16	10.4	15	M14x50	0.17	
	BS 6005	420	1 1/2"	63.5	50.8	79.38	113	36.5	95	19	12.7	16	M16x55	0.30	
	BS 6006	420	2"	79.4	66.5	96.82	133	44.45	113.8	30	12.7	21	M20x65	0.47	

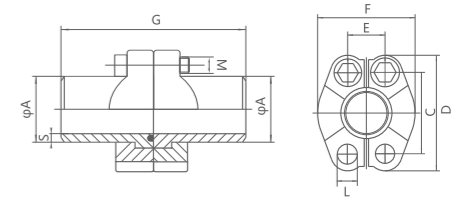
Order information:

Flange combination with O-ring BS ...
 Flange combination without O-ring BSO ...

SAE-Double head light flange joint

Characteristics

Structure type: SAE-Double head flange joint
 Structure form: Through
 Fixed: Screw hole
 Standard: SAE J518C, ISO 6162
 Material: carbon steel
 Surface protection: Pickling phosphating and antirust oil treatment



Model PSI	Code PART NO.	Working pressure BAR	Nominal size S.A.E	DIMENSIONS										Bolt M	Weight kg
				A	S	C	D	E	F	G	L				
3000	DSFS 3001-16x2	345	1/2"	16	2	38.1	54	17.48	45.6	82	9	M8x25	0.50		
	DSFS 3001-20x2.5	345	1/2"	20	2.5	38.1	54	17.48	45.6	82	9	M8x25	0.50		
	DSFS 3001-21.3x2.9	345	1/2"	21.3	2.9	38.1	54	17.48	45.6	82	9	M8x25	0.50		
	DSFS 3001-21.3x3.8	345	1/2"	21.3	3.8	38.1	54	17.48	45.6	82	9	M8x25	0.50		
	DSFS 3001-21.3x4.7	345	1/2"	21.3	4.7	38.1	54	17.48	45.6	82	9	M8x25	0.50		
	DSFS 3002-25x3	345	3/4"	25	3	47.63	65	22.23	51.8	100	11	M10x30	0.80		
	DSFS 3002-26.9x3.6	345	3/4"	26.9	3.6	47.63	65	22.23	51.8	100	11	M10x30	0.80		
	DSFS 3002-26.9x3.9	345	3/4"	26.9	3.9	47.63	65	22.23	51.8	100	11	M10x30	0.80		
	DSFS 3003-25x3	345	1"	25	3	52.37	70	26.19	58.4	100	11	M10x30	1.10		
	DSFS 3003-30x3	345	1"	30	3	52.37	70	26.19	58.4	100	11	M10x30	1.10		
	DSFS 3003-30x4	345	1"	30	4	52.37	70	26.19	58.4	100	11	M10x30	1.10		
	DSFS 3003-33.7x4.5	345	1"	33.7	4.5	52.37	70	26.19	58.4	100	11	M10x30	1.10		
	DSFS 3003-38x4	345	1"	38	4	52.37	70	26.19	58.4	100	11	M10x30	1.10		
	DSFS 3003-38x5	345	1"	38	5	52.37	70	26.19	58.4	100	11	M10x30	1.10		
	DSFS 3004-25x3	276	1 1/4"	25	3	58.72	79	30.18	72.6	110	13	M12x40	1.50		
	DSFS 3004-30x3	276	1 1/4"	30	3	58.72	79	30.18	72.6	110	13	M12x40	1.50		
	DSFS 3004-38x3	276	1 1/4"	38	3	58.72	79	30.18	72.6	110	13	M12x40	1.50		
	DSFS 3004-38x4	276	1 1/4"	38	4	58.72	79	30.18	72.6	110	13	M12x40	1.50		
	DSFS 3004-38x5	276	1 1/4"	38	5	58.72	79	30.18	72.6	110	13	M12x40	1.50		
	DSFS 3004-42.4x3.6	276	1 1/4"	42.4	3.6	58.72	79	30.18	72.6	110	13	M12x40	1.50		
	DSFS 3004-42.4x4.5	276	1 1/4"	42.4	4.5	58.72	79	30.18	72.6	110	13	M12x40	1.50		
	DSFS 3004-42.4x6.3	276	1 1/4"	42.4	6.3	58.72	79	30.18	72.6	110	13	M12x40	1.50		
	DSFS 3005-38x4	207	1 1/2"	38	4	69.85	94	35.71	82.2	114	13	M12x35	2.20		
	DSFS 3005-42x3	207	1 1/2"	42	3	69.85	94	35.71	82.2	114	13	M12x35	2.20		
	DSFS 3005-42x5	207	1 1/2"	42	5	69.85	94	35.71	82.2	114	13	M12x35	2.20		
	DSFS 3005-45x5	207	1 1/2"	45	5	69.85	94	35.71	82.2	114	13	M12x35	2.20		
	DSFS 3005-48.3x2.6	207	1 1/2"	48.3	2.6	69.85	94	35.71	82.2	114	13	M12x35	2.20		
	DSFS 3005-48.3x3.6	207	1 1/2"	48.3	3.6	69.85	94	35.71	82.2	114	13	M12x35	2.20		
	DSFS 3005-48.3x5	207	1 1/2"	48.3	5	69.85	94	35.71	82.2	114	13	M12x35	2.20		
	DSFS 3005-48.3x6.3	207	1 1/2"	48.3	6.3	69.85	94	35.71	82.2	114	13	M12x35	2.20		
DSFS 3005-48.3x7.1	207	1 1/2"	48.3	7.1	69.85	94	35.71	82.2	114	13	M12x35	2.20			
DSFS 3005-50x6	207	1 1/2"	50	5	69.85	94	35.71	82.2	114	13	M12x35	2.20			
DSFS 3006-48.3x5	207	2"	48.3	5	77.77	102	42.88	96.4	114	13	M12x35	2.40			
DSFS 3006-55x5	207	2"	55	5	77.77	102	42.88	96.4	114	13	M12x35	2.40			
DSFS 3006-60.3x2.9	207	2"	60.3	2.9	77.77	102	42.88	96.4	114	13	M12x35	2.40			
DSFS 3006-60.3x3.9	207	2"	60.3	3.9	77.77	102	42.88	96.4	114	13	M12x35	2.40			
DSFS 3006-60.3x5	207	2"	60.3	5	77.77	102	42.88	96.4	114	13	M12x35	2.40			
DSFS 3006-60.3x6.3	207	2"	60.3	6.3	77.77	102	42.88	96.4	114	13	M12x35	2.40			
DSFS 3006-60.3x8	207	2"	60.3	8	77.77	102	42.88	96.4	114	13	M12x35	2.40			
DSFS 3007-65x6	172	2 1/2"	65	6	88.9	114	50.8	108.2	116	13	M12x40	3.50			
DSFS 3007-70x7.5	172	2 1/2"	70	7.5	88.9	114	50.8	108.2	116	13	M12x40	3.50			
DSFS 3007-76.1x5.5	172	2 1/2"	76.1	5.5	88.9	114	50.8	108.2	116	13	M12x40	3.50			
DSFS 3007-76.1x7.1	172	2 1/2"	76.1	7.1	88.9	114	50.8	108.2	116	13	M12x40	3.50			
DSFS 3008-80x6	138	3"	80	6	106.38	135	61.93	130.6	116	17	M16x45	5.30			
DSFS 3008-88.9x3.2	138	3"	88.9	3.2	106.38	135	61.93	130.6	116	17	M16x45	5.30			
DSFS 3008-88.9x3.6	138	3"	88.9	3.6	106.38	135	61.93	130.6	116	17	M16x45	5.30			
DSFS 3008-88.9x7	138	3"	88.9	7	106.38	135	61.93	130.6	116	17	M16x45	5.30			
DSFS 3008-88.9x8	138	3"	88.9	8	106.38	135	61.93	130.6	116	17	M16x45	5.30			
DSFS 3009-88.9x3.6	34	3 1/2"	88.9	3.6	120.65	152	69.85	139	120	17	M16x45	5.30			
DSFS 3009-88.9x8	34	3 1/2"	88.9	8	120.65	152	69.85	139	120	17	M16x45	5.30			
DSFS 3009-100x6	34	3 1/2"	100	6	120.65	152	69.85	139	120	17	M16x45	5.30			
DSFS 3010-110x6	34	4"	110	6	130.18	162	77.77	152	120	17	M16x50	7.50			
DSFS 3010-114.3x3.6	34	4"	114.3	3.6	130.18	162	77.77	152	120	17	M16x50	7.50			
DSFS 3010-114.3x6.02	34	4"	114.3	6.02	130.18	162	77.77	152	120	17	M16x50	7.50			
DSFS 3010-114.3x8.8	34	4"	114.3	8.8	130.18	162	77.77	152	120	17	M16x50	7.50			

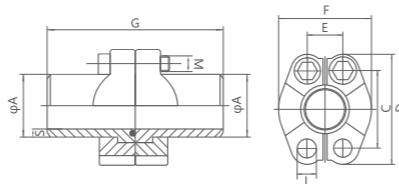
Welded flange joint

Welded flange joint

SAE-Double head heavy flange joint

Characteristics

Structure type: SAE-Double head heavy flange joint
 Structure form: Through
 Fixed: Screw hole
 Standard: SAE J518C, ISO 6162
 Material: carbon steel
 Surface protection: Pickling phosphating and antirust oil treatment

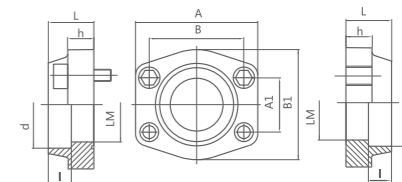


Model PSI	Code PART NO.	Working pressure BAR	Nominal size S.A.E	DIMENSIONS										Bolt M	Weight kg
				A	S	C	D	E	F	G	L	9			
6000PSI	DSFS 6001-16x2	414	1/2"	16	2	40.49	56	18.24	47.2	68	9	M8x30	0.60		
	DSFS 6001-20x2.5	414	1/2"	20	2.5	40.49	56	18.24	47.2	68	9	M8x25	0.60		
	DSFS 6001-21.3x4.5	414	1/2"	21.3	4.5	40.49	56	18.24	47.2	68	9	M8x25	0.60		
	DSFS 6002-16x2	414	3/4"	16	2	50.8	71	23.8	60	76	11	M10x35	1.10		
	DSFS 6002-20x2.5	414	3/4"	20	2.5	50.8	71	23.8	60	76	11	M10x35	1.10		
	DSFS 6002-25x3	414	3/4"	25	3	50.8	71	23.8	60	76	11	M10x35	1.10		
	DSFS 6002-25x3.5	414	3/4"	25	3.5	50.8	71	23.8	60	76	11	M10x35	1.10		
	DSFS 6002-25x4	414	3/4"	25	4	50.8	71	23.8	60	76	11	M10x35	1.10		
	DSFS 6002-26.9x5.6	414	3/4"	26.9	5.6	50.8	71	23.8	60	76	11	M10x35	1.10		
	DSFS 6003-25x3	414	1"	25	3	57.15	81	27.76	69.6	80	13	M12x45	1.70		
	DSFS 6003-30x3	414	1"	30	3	57.15	81	27.76	69.6	80	13	M12x45	1.70		
	DSFS 6003-30x4	414	1"	30	4	57.15	81	27.76	69.6	80	13	M12x45	1.70		
	DSFS 6003-33.7x6.3	414	1"	33.7	6.3	57.15	81	27.76	69.6	80	13	M12x45	1.70		
	DSFS 6003-33.7x7.1	414	1"	33.7	7.1	57.15	81	27.76	69.6	80	13	M12x45	1.70		
	DSFS 6003-38x4	414	1"	38	4	57.15	81	27.76	69.6	80	13	M12x45	1.70		
	DSFS 6003-38x5	414	1"	38	5	57.15	81	27.76	69.6	80	13	M12x45	1.70		
	DSFS 6004-25x3	414	1 1/4"	25	3	66.68	95	31.75	77.2	90	15	M14x50	2.50		
	DSFS 6004-30x4	414	1 1/4"	30	4	66.68	95	31.75	77.2	90	15	M14x50	2.50		
	DSFS 6004-38x5	414	1 1/4"	38	5	66.68	95	31.75	77.2	90	15	M14x50	2.50		
	DSFS 6004-38x5.5	414	1 1/4"	38	5.5	66.68	95	31.75	77.2	90	15	M14x50	2.50		
	DSFS 6004-42.4x6.3	414	1 1/4"	42.4	6.3	66.68	95	31.75	77.2	90	15	M14x50	2.50		
	DSFS 6005-38x5	414	1 1/2"	38	5	79.38	113	36.5	95	100	17	M16x55	4.10		
	DSFS 6005-45x6.5	414	1 1/2"	45	6.5	79.38	113	36.5	95	100	17	M16x55	4.10		
	DSFS 6005-48.3x5	414	1 1/2"	48.3	5	79.38	113	36.5	95	100	17	M16x55	4.10		
	DSFS 6005-48.3x6.3	414	1 1/2"	48.3	6.3	79.38	113	36.5	95	100	17	M16x55	4.10		
	DSFS 6005-48.3x7.1	414	1 1/2"	48.3	7.1	79.38	113	36.5	95	100	17	M16x55	4.10		
	DSFS 6005-48.3x8	414	1 1/2"	48.3	8	79.38	113	36.5	95	100	17	M16x55	4.10		
	DSFS 6005-48.3x8.8	414	1 1/2"	48.3	8.8	79.38	113	36.5	95	100	17	M16x55	4.10		
	DSFS 6005-50x6	414	1 1/2"	50	6	79.38	113	36.5	95	100	17	M16x55	4.10		
	DSFS 6006-48.3x6.3	414	2"	48.3	6.3	96.82	133	44.45	113.8	116	21	M20x65	6.70		
	DSFS 6006-60.3x6.3	414	2"	60.3	6.3	96.82	133	44.45	113.8	116	21	M20x65	6.70		
	DSFS 6006-60.3x7.5	414	2"	60.3	7.5	96.82	133	44.45	113.8	116	21	M20x65	6.70		
	DSFS 6006-60.3x8	414	2"	60.3	8	96.82	133	44.45	113.8	116	21	M20x65	6.70		
	DSFS 6006-60.3x8.75	414	2"	60.3	8.75	96.82	133	44.45	113.8	116	21	M20x65	6.70		
	DSFS 6006-60.3x10	414	2"	60.3	10	96.82	133	44.45	113.8	116	21	M20x65	6.70		
	DSFS 6006-60.3x13.4	414	2"	60.3	13.4	96.82	133	44.45	113.8	116	21	M20x65	6.70		

SAE-Inserted type welded flange

Characteristics

Structure type: SAE-Inserted type welded flange
 Structure form: Through
 Fixed: Screw hole
 Standard: SAE J518C, ISO 6162
 Material: carbon steel
 Surface protection: Pickling phosphating and antirust oil treatment



Model PSI	Code PART NO.	Working pressure BAR	Nominal size S.A.E	DIMENSIONS										O-ring	Bolt M	Weight kg
				d	h	L	B	A1	A	B1	I					
3000PSI	AFLA/AFA 10-3	210	3/8"	17.5	16	36	38	17.5	57	47	18	18.7x3.55	M8x30	0.370		
	AFLA/AFA 13-3	210	1/2"	21.6	16	36	38	17.5	57	47	18	18.7x3.55	M8x30	0.335		
	AFLA/AFA 19-3	210	3/4"	27.2	18	36	47.6	22.2	66	49	18	25.0x3.55	M10x35	0.545		
	AFLA/AFA 25-3	210	1"	34.5	18	38	52.4	26.2	70	53	18	32.9x3.55	M10x35	0.605		
	AFLA/AFA 32-3	210	1 1/4"	42.8	21	41	58.7	30.2	80	69	20	37.7x3.55	M10x40	0.855		
	AFLA/AFA 38-3	200	1 1/2"	48.6	25	44	70	35.7	94	77	22	47.2x3.55	M12x45	1.295		
	AFLA/AFA 51-3	200	2"	61	25	45	77.8	42.9	103	89	24	56.7x3.55	M12x45	1.400		
	AFLA/AFA 64-3	160	2 1/2"	76.6	25	50	89	50.8	115	101	28	69.4x3.53	M12x45	1.748		
	AFLA/AFA 76-3	100	3"	90.5	27	50	106.4	62	135	124	28	85.3x3.53	M16x50	2.716		
	AFLA/AFA 89-3	35	3 1/2"	103	27	50	120.7	70	153	137	28	98.0x3.53	M16x50	2.960		
6000PSI	AFLA/AFA 102-3	35	4"	115	27	50	130	77.8	163	147	28	110.7x3.53	M16x50	3.167		
	AFLA/AFA 127-3	35	5"	141	28	50	152.4	92	184	170	28	136.1x3.53	M16x50	3.960		
	AFLA/AFA 10-6	410	3/8"	17.5	18	36	40.5	18.3	57	47	18	18.7x3.55	M8x30	0.354		
	AFLA/AFA 13-6	410	1/2"	21.6	18	36	40.5	18.3	57	47	18	18.7x3.53	M8x30	0.350		
	AFLA/AFA 19-6	410	3/4"	27.2	18	36	50.8	23.8	71	53	20	25.0x3.55	M10x35	0.640		
	AFLA/AFA 25-6	410	1"	34.5	21	44	57.1	27.8	80	66	11	32.9x3.55	M12x40	1.018		
	AFLA/AFA 32-6	410	1 1/4"	42.8	27	44	66.7	31.6	94	77	22	37.7x3.55	M14x45	1.413		
	AFLA/AFA 38-6	410	1 1/2"	48.6	30	51	79.4	36.7	103	89	24	47.2x3.55	M16x50	2.056		
	AFLA/AFA 51-6	410	2"	61	37	58	96.8	44.4	135	116	25	56.7x3.55	M20x60	3.862		

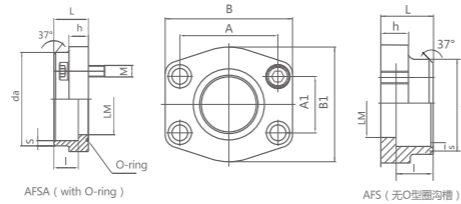
Order information:

Flange combination with O-ring AFLA ...
 Flange combination without O-ring AFA ...

SAE-Butt type light welded flange

Characteristics

Structure type: SAE-Butt type welded flange
 Structure form: Through
 Fixed: Screw hole
 Standard: SAE J518C, ISO 6162
 Material: carbon steel
 Surface protection: Pickling phosphating and antirust oil treatment



Model PSI	Code PART NO.	Nominal size S.A.E	DIMENSIONS										O-ring	Bolt M	Weight kg
			da	S	h	L	A	A1	B	B1					
3000PSI	AFSA/AFS 13-3 20x3	1/2"	20	3	16	36	38.1	17.5	57	47	18.7x3.55	M8x30	0.325		
	AFSA/AFS 13-3 21.3x2.6	1/2"	21.6	2.6	16	36	38.1	17.5	57	47	18.7x3.55	M8x30	0.325		
	AFSA/AFS 13-3 22x2	1/2"	22	2	16	36	38.1	17.5	57	47	18.7x3.55	M8x30	0.274		
	AFSA/AFS 19-3 25x3	3/4"	25	3	18	36	47.6	22.2	66	49	20x3.55	M10x35	0.49		
	AFSA/AFS 19-3 26.9x2.6	3/4"	26.9	2.6	18	36	47.6	22.2	66	49	20x3.55	M10x35	0.398		
	AFSA/AFS 25-3 30x4	1"	30	4	18	38	52.4	26.2	71	53	32.9x3.55	M10x35	0.551		
	AFSA/AFS 25-3 33.7x3.2	1"	33.7	3.2	18	38	52.4	26.2	71	53	32.9x3.55	M10x35	0.551		
	AFSA/AFS 25-3 35x4	1"	35	4	18	38	52.4	26.2	71	53	32.9x3.55	M10x35	0.441		
	AFSA/AFS 32-3 38x4	1 1/4"	38	4	21	41	58.7	30.2	80	69	37.7x3.55	M10x40	0.765		
	AFSA/AFS 32-3 42x3	1 1/4"	42	3	21	41	58.7	30.2	80	69	37.7x3.55	M10x40	0.765		
	AFSA/AFS 32-3 42.3x3.2	1 1/4"	42.3	3.2	21	41	58.7	30.2	80	69	37.7x3.55	M10x40	0.765		
	AFSA/AFS 38-3 38x4	1 1/2"	38	4	25	44	70	35.7	94	77	42.2x3.55	M12x45	1.125		
	AFSA/AFS 38-3 42x3	1 1/2"	42	3	25	44	70	35.7	94	77	42.2x3.55	M12x45	1.125		
	AFSA/AFS 38-3 48.3x3.2	1 1/2"	48.3	3.2	25	44	70	35.7	94	77	42.2x3.55	M12x45	1.125		
	AFSA/AFS 51-3 42x3	2"	42	3	25	45	77.8	42.9	103	89	56.7x3.55	M12x45	1.45		
	AFSA/AFS 51-3 42.3x3.2	2"	42.3	3.2	25	45	77.8	42.9	103	89	56.7x3.55	M12x45	1.45		
	AFSA/AFS 51-3 60.3x5.6	2"	60.5	5.6	25	45	77.8	42.9	103	89	56.7x3.55	M12x45	1.45		
	AFSA/AFS 64-3 76.1x3.6	2 1/2"	76.1	3.6	25	50	89	50.8	115	101	69.4x3.55	M12x45	1.645		
	AFSA/AFS 64-3 76.1x7.1	2 1/2"	76.1	7.1	25	50	89	50.8	115	101	69.4x3.55	M12x45	1.645		
	AFSA/AFS 76-3 76.1x3.6	3"	76.1	3.6	27	50	106.4	62	135	124	85.3x3.55	M16x50	2.965		
	AFSA/AFS 76-3 76.1x7.1	3"	76.1	7.1	27	50	106.4	62	135	124	85.3x3.55	M16x50	2.965		
	AFSA/AFS 76-3 88.9x3.6	3"	88.9	3.6	27	50	106.4	62	135	124	85.3x3.55	M16x50	2.965		
	AFSA/AFS 89-3 76.1x3.6	3 1/2"	76.1	3.6	27	50	120.7	70	153	137	98.0x3.55	M16x50	3.600		
	AFSA/AFS 89-3 88.9x3.6	3 1/2"	88.9	3.6	27	50	120.7	70	153	137	98.0x3.55	M16x50	3.600		
	AFSA/AFS 89-3 114.3x3.6	3 1/2"	114.3	3.6	27	50	120.7	70	153	137	98.0x3.55	M16x50	3.600		
	AFSA/AFS 102-3 76.1x3.6	4"	76.1	3.6	27	50	130	77.8	163	147	110.7x3.55	M16x50	3.646		
	AFSA/AFS 102-3 88.9x3.6	4"	88.9	3.6	27	50	130	77.8	163	147	110.7x3.55	M16x50	3.646		
AFSA/AFS 102-3 114.3x3.6	4"	114.3	3.6	27	50	130	77.8	163	147	110.7x3.55	M16x50	3.646			
AFSA/AFS 127-3 139.7x4	5"	139.7	4	28	50	152.4	92	184	180	136.1x3.55	M16x50	3.625			

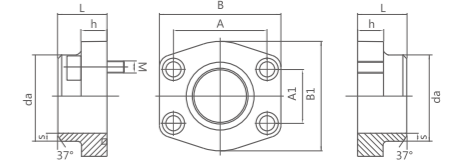
Order information:

Flange combination with O-ring AFSA ...
 Flange combination without O-ring AFS ...

SAE-Butt type heavy welded flange

Characteristics

Structure type: SAE-Butt type welded flange
 Structure form: Through
 Fixed: Screw hole
 Standard: SAE J518C, ISO 6162
 Material: carbon steel
 Surface protection: Pickling phosphating and antirust oil treatment



Model PSI	Code PART NO.	Nominal size S.A.E	DIMENSIONS										O-ring	Bolt M	Weight kg
			da	S	h	L	A	A1	B	B1					
6000PSI	AFSA/AFS 13-6 16x2.5	1/2"	216	2.5	18	36	40.5	18.3	57	47	18.7x3.55	M8x30	0.325		
	AFSA/AFS 13-6 20x3	1/2"	20	3	18	36	40.5	18.3	57	47	18.7x3.55	M8x30	0.325		
	AFSA/AFS 13-6 21.3x4.5	1/2"	21.3	4.5	18	36	40.5	18.3	57	47	18.7x3.55	M8x30	0.325		
	AFSA/AFS 19-6 20x3	3/4"	20	3	18	36	50.8	23.8	71	53	25.0x3.55	M10x35	0.571		
	AFSA/AFS 19-6 25x4	3/4"	25	4	18	36	50.8	23.8	71	53	25.0x3.55	M10x35	0.571		
	AFSA/AFS 19-6 26.9x5.6	3/4"	26.9	5.6	18	36	50.8	23.8	71	53	25.0x3.55	M10x35	0.571		
	AFSA/AFS 25-6 25x4	1"	25	4	21	44	57.1	27.8	80	66	32.9x3.55	M12x40	0.892		
	AFSA/AFS 25-6 30x4	1"	30	4	21	44	57.1	27.8	80	66	32.9x3.55	M12x40	0.892		
	AFSA/AFS 25-6 33.7x7.1	1"	33.7	7.1	21	44	57.1	27.8	80	66	32.9x3.55	M12x40	0.892		
	AFSA/AFS 32-6 30x4	1 1/4"	30	4	25	44	66.7	31.6	94	77	37.7x3.55	M14x45	1.092		
	AFSA/AFS 32-6 38x5	1 1/4"	38	5	25	44	66.7	31.6	94	77	37.7x3.55	M14x45	1.092		
	AFSA/AFS 32-6 42.3x8.8	1 1/4"	42.3	8.8	25	44	66.7	31.6	94	77	37.7x3.55	M14x45	1.092		
	AFSA/AFS 38-6 38x5	1 1/2"	38	5	29	52	79.4	36.7	112	89	47.2x3.55	M16x50	2.043		
	AFSA/AFS 38-6 48.3x8.8	1 1/2"	48.3	8.8	29	52	79.4	36.7	112	89	47.2x3.55	M16x50	2.043		
	AFSA/AFS 38-6 60.3x10	1 1/2"	60.3	10	29	52	79.4	36.7	112	89	47.2x3.55	M16x50	2.043		
	AFSA/AFS 51-6 60x10	2"	60	10	35	58	96.8	44.4	135	114	56.7x3.55	M20x60	3.100		
	AFSA/AFS 51-6 60.3x12.5	2"	60.3	12.5	35	58	96.8	44.4	135	114	56.7x3.55	M20x60	3.751		
	AFSA/AFS 51-6 76.1x12.5	2"	76.1	12.5	35	58	96.8	44.4	135	114	56.7x3.55	M20x60	3.825		

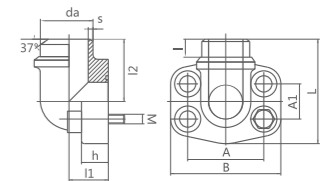
Order information:

Flange combination with O-ring AFSA ...
 Flange combination without O-ring AFS ...

SAE-Right angle butt welded flange

Characteristics

Structure type: SAE-Right angle butt welded flange
 Structure form: Right angle
 Fixed: Screw hole
 Standard: SAE J518C, ISO 6162
 Material: carbon steel
 Surface protection: Pickling phosphating and antirust oil treatment

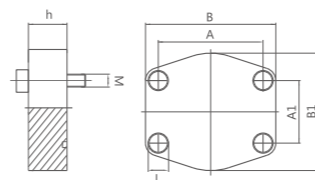


Model PSI	Code PART NO.	Nominal size S.A.E	DIMENSIONS										O-ring	Bolt M	Weight kg
			da	S	h	I	L	A	A1	B	L1	L2			
3000PSI	AFW 13-3 21.6x4.3	1/2"	21.6	4.3	16	12	63	38	17.5	54	18	40	18.7x3.55	M8x30	0.335
	AFW 19-3 27.2x4.1	3/4"	27.2	4.1	19	12	65	47.6	22.2	66	22	41	25.0x3.55	M10x35	0.530
	AFW 25-3 34.5x4.7	1"	34.5	4.7	19	13	77	52.4	26.2	70	28	50	32.9x3.55	M10x35	0.616
	AFW 32-3 42.8x5.4	1 1/4"	42.8	5.4	23	13	90	58.7	30.2	80	30	57	37.7x3.55	M10x40	1.000
	AFW 38-3 48.6x5.3	1 1/2"	48.6	5.3	26	14	105	69.9	35.7	95	36	66	47.2x3.55	M12x45	1.466
AFW 51-3 61x5	2"	61	5	28	15	110	77.8	42.9	102	44	66	56.7x3.55	M12x45	2.049	
6000PSI	AFW 13-6 21.6x4.3	1/2"	21.6	4.3	18	12	63	40.5	18.3	57	18	40	18.7x3.55	M8x30	0.375
	AFW 19-6 27.2x4.1	3/4"	27.2	4.1	18	12	77	50.8	23.8	72	22	50	25.0x3.55	M10x35	0.670
	AFW 25-6 34.5x4.7	1"	34.5	4.7	27	13	90	57.1	27.8	82	28	57	32.9x3.55	M12x40	1.040
	AFW 32-6 42.8x5.4	1 1/4"	42.8	5.4	28	13	105	66.7	31.6	95	30	66	37.7x3.55	M14x50	1.800
	AFW 38-6 48.6x5.3	1 1/2"	48.6	5.3	28	15	109	79.4	36.7	115	41	65	47.2x3.55	M16x50	2.713
AFW 51-6 61x5	2"	61	5	29	15	134	96.8	44.4	134	45	75	56.2x3.55	M20x60	4.021	

SAE-Blank flange

Characteristics

Structure type: SAE-Blank flange
 Structure form: Through
 Fixed: Screw hole
 Standard: SAE J518C, ISO 6162
 Material: carbon steel
 Surface protection: Galvanized and anti-rust oil treatment

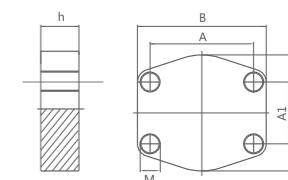


Model PSI	Code PART NO.	Nominal size S.A.E	DIMENSIONS						O-ring	Bolt M	Pressure bar
			A	B	A1	B1	h	L			
3000PSI	AFC80	1/2"	38.1	56	17.48	48	16	9	18.7x3.55	M8x30	345
	AFC100	3/4"	47.63	65	22.23	50	16	11	25.0x3.55	M10x35	345
	AFC102	1"	52.37	70	26.19	60	19	11	32.9x3.55	M10x35	345
	AFC104	1 1/4"	58.72	79	30.18	68	18	11.5	37.7x3.55	M10x10	276
	AFC106	1 1/2"	69.85	93	35.71	78	20	13.5	42.2x3.55	M12x45	207
	AFC108	2"	77.77	102	42.88	90	20	13.5	56.7x3.55	M12x45	207
	AFC110	2 1/2"	88.9	114	50.8	105	20	13.5	69.4x3.55	M12x45	172
	AFC112	3"	106.38	134	61.93	124	24	17.5	85.3x3.55	M16x50	138
	AFC114	3 1/2"	120.65	152	69.85	136	22	17.5	98x3.55	M16x50	34
	AFC116	4"	130.18	162	77.77	146	25	17.5	110.7x3.55	M16x50	34
AFC118	5"	152.4	190	92.08	170	28	17.5	136.1x3.55	M16x50	34	
6000PSI	AFC401	1/2"	40.49	56	18.24	48	16	9	18.7x3.55	M8x30	414
	AFC402	3/4"	50.8	71	23.8	60	19	11	25x3.55	M10x35	414
	AFC403	1"	57.15	81	27.76	70	24	13	32.9x3.55	M12x45	414
	AFC404	1 1/4"	66.68	95	31.75	78	27	15	37.7x3.55	M14x45	414
	AFC405	1 1/2"	79.38	112	36.5	94	30	17	47.2x3.55	M16x50	414
	AFC406	2"	96.82	134	44.45	114	28	21	56.7x3.55	M20x65	414

SAE-Blank flange

Characteristics

Structure type: SAE-Blank flange
 Structure form: Through
 Fixed: Screw hole
 Standard: SAE J518C, ISO 6162
 Material: carbon steel
 Surface protection: Galvanized and anti-rust oil treatment

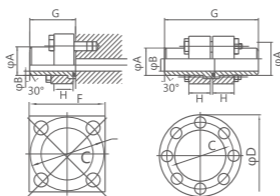


Model PSI	Code PART NO.	Nominal size S.A.E	DIMENSIONS						Bolt M	Pressure (bar)
			A	B	A1	B1	h	L		
3000PSI	GFC80	1/2"	38.1	56	17.48	48	16		M8	345
	GFC100	3/4"	47.63	65	22.23	50	16		M10	345
	GFC102	1"	52.37	70	26.19	60	19		M10	345
	GFC104	1 1/4"	58.72	79	30.18	68	18		M10	276
	GFC106	1 1/2"	69.85	93	35.71	78	20		M12	207
	GFC108	2"	77.77	102	42.88	90	20		M12	207
	GFC110	2 1/2"	88.9	114	50.8	105	20		M12	172
	GFC112	3"	106.38	134	61.93	124	24		M16	138
	GFC114	3 1/2"	120.65	152	69.85	136	22		M16	34
	GFC116	4"	130.18	162	77.77	146	25		M16	34
	GFC118	5"	152.4	190	92.08	170	28		M16	34
	6000PSI	GFC401	1/2"	40.49	56	18.24	48	16		M8
GFC402		3/4"	50.8	71	23.8	60	19		M10	414
GFC403		1"	57.15	81	27.76	70	24		M12	414
GFC404		1 1/4"	66.68	95	31.75	78	27		M14	414
GFC405		1 1/2"	79.38	112	36.5	94	30		M16	414
GFC406		2"	96.82	134	44.45	114	28		M20	414

Square flange joint PN160

Characteristics

Structure type: Square flange joint
 Structure form: Through
 Fixed: Screw hole
 Standard: ISO
 Material: carbon steel
 Surface protection: Pickling phosphating and antirust oil treatment



Code PART NO.	Working pressure BAR	Nominal scale DN	DIMENSIONS							O-ring	Bolt M	Weight kg
			B	C	F	D	H	G				
VKA12-2/16x2	160	12	12	44	50	—	19	43	16.3x2.4	4/M10x35	0.40	
VKA16-2/20x2.5	160	16	15	54	60	—	19	50	25.3x2.4	4/M10x35	0.65	
VKA20-2/25x3	160	20	19	54	60	—	19	50	25.3x2.4	4/M10x35	0.70	
VKA25-2/30x4	160	25	24	64	70	—	19	56	29.8x2.6	4/M12x35	0.90	
VKA32-2/38x5	160	32	28	72	80	—	24	64	34.5x2.6	4/M12x40	1.40	
VKA40-2/48.3x5	160	40	38	80	90	—	29	68	46.0x3.0	4/M16x50	2.00	
VKA50-2/60.3x6.3	160	50	48	98	100	—	38	80	53.3x5.33	4/M16x60	3.00	
VKA65-2/76.1x7.1	160	65	62	118	120	—	47	98	69.2x5.33	4/M20x70	5.20	
VKA80-2/101.6x10	160	80	82	175	180	—	58	135	100.0x6.0	4/M30x90	16.50	
VKA100-2/114.3x11	160	100	92	175	180	—	58	135	106.9x7.0	4/M30x90	16.90	
VKA125-2/152.4x16	160	125	120	200	—	245	69	150	132.7x7.0	8/M24x100	26.95	
VKA150-2/177.8x17.5	160	150	143	245	—	300	79	190	148.0x7.0	8/M30x110	46.50	
VKK12-2/16x2	160	12	12	44	50	—	19	86	16.3x2.4	4/M10x55	0.75	
VKK16-2/20x2.5	160	16	15	54	60	—	19	100	25.3x2.4	4/M10x60	1.15	
VKK20-2/25x3	160	20	19	54	60	—	19	100	25.3x2.4	4/M10x60	1.20	
VKK25-2/30x4	160	25	24	64	70	—	19	112	29.8x2.6	4/M12x60	1.70	
VKK32-2/38x5	160	32	28	72	80	—	24	128	34.5x2.6	4/M12x70	2.65	
VKK40-2/48.3x5	160	40	38	80	90	—	29	136	46.0x3.0	4/M16x80	3.80	
VKK50-2/60.3x6.3	160	50	48	98	100	—	38	160	53.3x5.33	4/M16x100	5.90	
VKK65-2/76.1x7.1	160	65	62	118	120	—	47	196	69.2x5.33	4/M20x120	9.90	
VKK80-2/101.6x10	160	80	82	175	180	—	58	270	100.0x6.0	4/M30x150	31.65	
VKK100-2/114.3x11	160	100	92	175	180	—	58	270	106.9x7.0	4/M30x150	32.15	
VKK125-2/152.4x16	160	125	120	200	—	245	69	300	132.7x7.0	8/M24x170	53.60	
VKK150-2/177.8x17.5	160	150	143	245	—	300	79	380	148.0x7.0	8/M30x200	92.75	

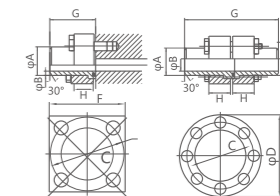
Order information:

Single-head flange connecting pipe combination VKA...
 Double-end flange connecting pipe combination VKK...

Square flange joint PN250

Characteristics

Structure type: Square flange joint
 Structure form: Through
 Fixed: Screw hole
 Standard: ISO
 Material: carbon steel
 Surface protection: Pickling phosphating and antirust oil treatment



Code PART NO.	Working pressure BAR	Nominal size S.A.E	DIMENSIONS							O-ring	Bolt M	Weight kg
			B	C	F	D	H	G				
VKA10-3/16x2	250	10	10	44	50	—	20	43	16.3x2.4	4/M10x35	0.44	
VKA12-3/20x2.9	250	12	12	54	60	—	20	50	25.3x2.4	4/M10x35	0.71	
VKA16-3/21.3x3.6	250	16	16	54	60	—	20	50	25.3x2.4	4/M10x35	0.71	
VKA20-3/26.9x3.6	250	20	20	64	70	—	20	56	29.8x2.6	4/M12x35	0.90	
VKA25-3/33.7x4.5	250	25	25	72	80	—	25	64	34.5x2.6	4/M12x40	1.40	
VKA32-3/42.4x5.6	250	32	31	80	90	—	30	68	46.0x3.0	4/M16x50	2.10	
VKA40-3/60.3x8	250	40	44	98	100	—	38	80	53.3x5.33	4/M16x60	3.10	
VKA50-3/76.1x10	250	50	56	118	120	—	47	98	61.0x5.0	4/M20x70	5.40	
VKA65-3/88.9x11	250	65	67	145	150	—	48	109	75.0x5.0	4/M24x75	9.00	
VKA80-3/101.6x12.5	250	80	77	175	180	—	58	135	88.0x6.0	4/M30x90	16.90	
VKA100-3/139.7x17.5	250	100	105	200	—	245	70	150	115.0x6.0	8/M24x100	27.85	
VKA125-3/168.3x20	250	125	128	245	—	300	80	190	148.0x7.0	8/M30x110	47.70	
VKA150-3/193.7x25	250	150	144	290	—	355	90	190	183.5x7.0	8/M36x130	53.20	
VKK10-3/16x2	250	10	10	44	50	—	20	86	16.3x2.4	4/M10x55	0.80	
VKK12-3/20x2.9	250	12	12	54	60	—	20	100	25.3x2.4	4/M10x60	0.80	
VKK16-3/21.3x3.6	250	16	16	54	60	—	20	100	25.3x2.4	4/M10x60	1.22	
VKK20-3/26.9x3.6	250	20	20	64	70	—	20	112	29.8x2.6	4/M12x60	1.70	
VKK25-3/33.7x4.5	250	25	25	72	80	—	25	128	34.5x2.6	4/M12x70	2.70	
VKK32-3/42.4x5.6	250	32	31	80	90	—	30	136	46.0x3.0	4/M16x80	4.00	
VKK40-3/60.3x8	250	40	44	98	100	—	38	160	53.3x5.33	4/M16x100	6.00	
VKK50-3/76.1x10	250	50	56	118	120	—	47	196	61.0x5.0	4/M20x120	10.30	
VKK65-3/88.9x11	250	65	67	145	150	—	48	218	75.0x5.0	4/M24x130	17.45	
VKK80-3/101.6x12.5	250	80	77	175	180	—	58	270	88.0x6.0	4/M30x150	32.60	
VKK100-3/139.7x17.5	250	100	105	200	—	245	70	300	115x6.0	8/M24x170	54.00	
VKK125-3/168.3x20	250	125	128	245	—	300	80	380	148.0x7.0	8/M30x200	90.00	
VKK150-3/193.7x25	250	150	144	290	—	355	90	380	183.5x7.0	8/M36x220	105.00	

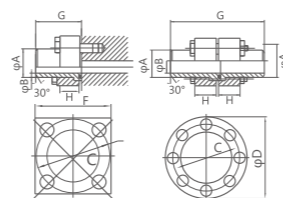
Order information:

Single-head flange connecting pipe combination VKA...
 Double-end flange connecting pipe combination VKK...

SAE-Square flange joint PN315

Characteristics

Structure type: Square flange joint
 Structure form: Through
 Fixed: Screw hole
 Standard: ISO
 Material: carbon steel
 Surface protection: Pickling phosphating and antirust oil treatment



Code PART NO.	Working pressure BAR	Nominal size S.A.E	DIMENSIONS							O-ring	Bolt M	Weight kg
			B	C	F	D	H	G				
VKA10-4/17.2x3.6	315	10	10	44	50	—	20	43	16.3x2.4	4/M10x35	0.45	
VKA12-4/21.3x4.0	315	12	14	54	60	—	20	50	25.3x2.4	4/M10x35	0.70	
VKA16-4/26.9x4.5	315	16	18	54	60	—	20	50	25.3x2.4	4/M10x35	0.70	
VKA20-4/33.7x5.6	315	20	22	64	70	—	20	56	29.8x2.6	4/M12x35	0.90	
VKA25-4/42.7x7.1	315	25	28	72	80	—	25	64	34.5x2.6	4/M12x40	1.45	
VKA32-4/48.3x8.0	315	32	32	80	90	—	30	68	46.0x3.0	4/M16x50	2.20	
VKA40-4/60.3x10	315	40	40	98	100	—	38	80	53.3x5.33	4/M16x60	3.20	
VKA50-4/76.1x12.5	315	50	51	118	120	—	47	98	61.0x5.0	4/M20x70	5.60	
VKA65-4/88.9x14.2	315	65	60	145	150	—	48	109	75.0x5.0	4/M24x75	9.50	
VKA80-4/114.3x17.5	315	80	79	175	180	—	58	135	88.0x6.0	4/M30x90	17.60	
VKA100-4/152.5x28	315	100	96	200	—	245	70	150	115.0x6.0	8/M24x100	29.30	
VKA125-4/177.8x30	315	125	118	245	—	300	80	190	148.0x7.0	8/M30x110	48.20	
VKA150-4/219.1x36	315	150	147	290	—	355	90	190	183.5x7.0	8/M36x130	55.10	
VKK10-4/17.2x3.6	315	10	10	44	50	—	20	86	16.3x2.4	4/M10x55	0.81	
VKK12-4/21.3x4.0	315	12	14	54	60	—	20	100	25.3x2.4	4/M10x60	1.21	
VKK16-4/26.9x4.5	315	16	18	54	60	—	20	100	25.3x2.4	4/M10x60	1.21	
VKK20-4/33.7x5.6	315	20	22	64	70	—	20	112	29.8x2.6	4/M12x60	1.70	
VKK25-4/42.7x7.1	315	25	28	72	80	—	25	128	34.5x2.6	4/M12x70	2.70	
VKK32-4/48.3x8.0	315	32	32	80	90	—	30	136	43.0x3.0	4/M16x80	4.15	
VKK40-4/60.3x10	315	40	40	98	100	—	38	160	53.3x5.33	4/M16x100	6.25	
VKK50-4/76.1x12.5	315	50	51	118	120	—	47	196	61.0x5.0	4/M20x120	10.80	
VKK65-4/88.9x14.2	315	65	60	145	150	—	48	218	75.0x5.0	4/M24x130	18.35	
VKK80-4/114.3x17.5	315	80	89	175	180	—	58	270	88.0x6.0	4/M30x150	33.80	
VKK100-4/152.5x28	315	100	96	200	—	245	70	300	115x6.0	8/M24x170	57.20	
VKK125-4/177.8x30	315	125	118	245	—	300	80	380	148.0x7.0	8/M30x200	95.00	
VKK150-4/219.1x36	315	150	147	290	—	355	90	380	183.5x7.0	8/M36x220	109.20	

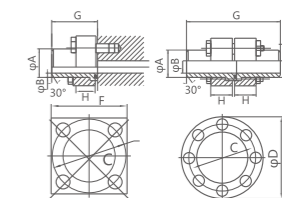
Order information:

Single-head flange connecting pipe combination VKA...
 Double-end flange connecting pipe combination VKK ...

SAE-Square flange joint PN400

Characteristics

Structure type: Square flange joint
 Structure form: Through
 Fixed: Screw hole
 Standard: ISO
 Material: carbon steel
 Surface protection: Pickling phosphating and antirust oil treatment



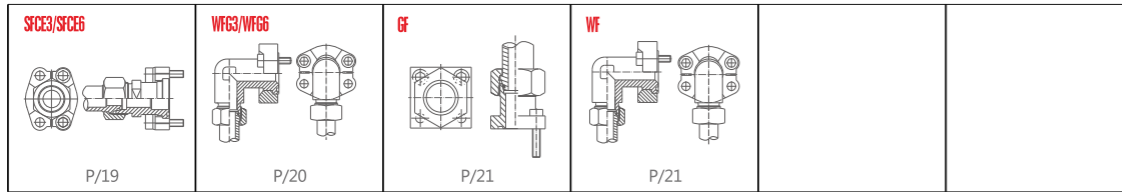
Code PART NO.	Working pressure BAR	Nominal diameter DN	DIMENSIONS							O-ring	Bolt M	Weight kg
			B	C	F	D	H	G				
VKA10-5/17.2x3.6	400	10	10	44	50	—	20	43	16.3x2.4	4/M10x35	0.45	
VKA16-5/26.9x5.6	400	16	16	54	60	—	20	50	25.3x2.4	4/M10x35	0.70	
VKA20-5/33.7x6.3	400	20	21	64	70	—	20	56	29.8x2.6	4/M12x35	0.90	
VKA25-5/42.7x8.0	400	25	26	72	80	—	25	64	34.5x2.6	4/M12x40	1.45	
VKA40-5/60.3x12.5	400	32	35	98	100	—	38	80	53.3x5.33	4/M16x60	2.20	
VKA50-5/70.0x14.2	400	40	41	118	120	—	47	100	61.0x5.0	4/M20x70	3.20	
VKA65-5/88.9x17.5	400	50	54	145	150	—	48	109	75.0x5.0	4/M24x75	5.60	
VKA80-5/101.6x20.0	400	65	62	175	180	—	58	135	88.0x6.0	4/M30x90	9.50	
VKA100-5/139.7x28.0	400	80	83	200	—	245	70	150	115.0x6.0	8/M24x100	17.60	
VKA125-5/168.3x32.0	400	100	104	245	—	300	80	190	148.0x7.0	8/M30x110	29.30	
VKA150-5/219.1x45.0	400	125	129	290	—	355	90	190	183.5x7.0	8/M36x130	48.20	
VKK10-5/17.2x3.6	400	10	10	44	50	—	20	86	16.3x2.4	4/M10x55	0.81	
VKK16-5/26.9x5.6	400	16	16	54	60	—	20	100	25.3x2.4	4/M10x60	1.21	
VKK20-5/33.7x6.3	400	20	21	64	70	—	20	112	29.8x2.6	4/M12x60	1.70	
VKK25-5/42.7x8.0	400	25	26	72	80	—	25	128	34.5x2.6	4/M12x70	2.70	
VKK40-5/60.3x12.5	400	32	35	98	100	—	38	160	53.3x5.33	4/M16x100	4.15	
VKK50-5/70.0x14.2	400	40	41	118	120	—	47	196	61.0x5.0	4/M20x120	6.25	
VKK65-5/88.9x17.5	400	50	54	145	150	—	48	218	75.0x5.0	4/M24x130	10.80	
VKK80-5/101.6x20.0	400	65	62	175	180	—	58	270	88.0x6.0	4/M30x150	18.35	
VKK100-5/139.7x28.0	400	80	83	200	—	245	70	300	115.0x6.0	8/M24x170	33.80	
VKK125-5/168.3x32.0	400	100	104	245	—	300	80	380	148.0x7.0	8/M30x200	57.20	
VKK150-5/219.1x45.0	400	125	129	290	—	355	90	380	183.5x7.0	8/M36x220	95.00	

Order information:

Single-head flange connecting pipe combination VKA...
 Double-end flange connecting pipe combination VKK ...

Ferrule type flange joint

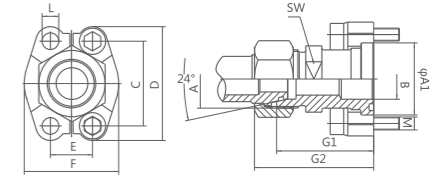
19/21



SAE-Straight through waist flange joint

Characteristics

Structure type: SAE-waist flange joint
 Structure form: Through
 Fixed: Screw hole
 Standard: SAE J518C, ISO 6162
 Material: carbon steel
 Surface protection: Trivalent chromium environmental protection zinc



Model PSI	Code PART NO.	Working pressure BAR	Nominal size S.A.E	DIMENSIONS													Bolt M	Weight kg
				A	A1	B	C	D	E	F	G1	G2	I	L	SW			
3000PSI	SFCE 3001/L15	315	1/2"	M22X1.5	30.2	16/20	38.1	54	17.48	45.6	48.2	56	7	9	24	M8X25	0.29	
	SFCE 3001/S16	350	1/2"	M24X1.5	30.2	13	38.1	54	17.48	45.6	50.2	60	8.5	9	24	M8X25	0.32	
	SFCE 3002/L18	315	3/4"	M26X1.5	38.1	15/20	47.63	65	22.23	51.8	53.2	62	7.5	11	30	M10X30	0.55	
	SFCE 3002/L22	160	3/4"	M30X2	38.1	19	47.63	65	22.23	51.8	53.2	62	7.5	11	30	M10X30	0.55	
	SFCE 3002/L28	160	3/4"	M36X2	38.1	19	47.63	65	22.23	51.8	53.2	62	7.5	11	30	M10X30	0.76	
	SFCE 3002/S20	350	3/4"	M30X2	38.1	16/20	47.63	65	22.23	51.8	57.2	68	10.5	11	30	M10X30	0.63	
	SFCE 3002/S25	350	3/4"	M36X2	38.1	17	47.63	65	22.23	51.8	57.2	69	12	11	30	M10X30	0.76	
	SFCE 3003/L28	160	1"	M36X2	44.4	24	52.37	70	26.19	58.4	54.2	65	7.5	11	36	M10X30	0.69	
	SFCE 3003/S25	350	1"	M36X2	44.4	20	52.37	70	26.19	58.4	58.2	70	12	11	36	M10X30	0.78	
	SFCE 3003/S30	350	1"	M42X2	44.4	24	52.37	70	26.19	58.4	63.2	76	13.5	11	36	M10X30	0.91	
	SFCE 3004/L28	160	1 1/4"	M36X2	50.8	22	58.72	79	30.18	72.6	58.6	67	7.5	13	36	M12X40	1.05	
	SFCE 3004/L35	160	1 1/4"	M45X2	50.8	30/32	58.72	79	30.18	72.6	58.2	69	10.5	13	41	M12X40	1.10	
	SFCE 3004/S25	280	1 1/4"	M36X2	50.8	20/27	58.72	79	30.18	72.6	60.2	72	12	13	41	M12X40	1.17	
	SFCE 3004/S30	280	1 1/4"	M42X2	50.8	25/28	58.72	79	30.18	72.6	62.2	75	13.5	13	41	M12X40	1.16	
	SFCE 3004/S38	280	1 1/4"	M52X2	50.8	28	58.72	79	30.18	72.6	66.6	81	16	13	46	M12X40	1.36	
SFCE 3005/L42	160	1 1/2"	M52X2	60.3	36	69.85	94	35.71	82.2	64.2	76	11	13	46	M12X35	1.34		
SFCE 3005/S38	210	1 1/2"	M52X2	60.3	32	69.85	94	35.71	82.2	70.2	85	16	13	46	M12X35	1.50		
6000PSI	SFCE 6001/S16	400	1/2"	M24X1.5	31.7	12	40.49	56	18.24	47.2	53.2	63	8.5	9	24	M8X30	0.46	
	SFCE 6002/S16	400	3/4"	M24X1.5	41.3	12	50.8	71	23.8	60	59.2	69	8.5	11	30	M10X35	0.78	
	SFCE 6002/S20	400	3/4"	M30X2	41.3	16	50.8	71	23.8	60	61.2	72	10.5	11	30	M10X35	0.84	
	SFCE 6002/S25	400	3/4"	M36X2	41.3	17	50.8	71	23.8	60	63.2	75	12	11	30	M10X35	0.96	
	SFCE 6002/S30	400	3/4"	M42X2	41.3	18	50.8	71	23.8	60	64	77	13.2	11	36	M10X35	1.20	
	SFCE 6003/S25	400	1"	M36X2	47.6	20	57.15	81	27.76	69.6	72.2	84	12	13	41	M12X45	1.42	
	SFCE 6003/S30	400	1"	M42X2	47.6	24	57.15	81	27.76	69.6	74	87	13.5	13	41	M12X45	1.52	
	SFCE 6004/S30	400	1 1/4"	M42X2	54	25/30	66.68	95	31.75	77.2	79.2	92	13.5	15	41	M14X50	1.93	
	SFCE 6004/S38	350	1 1/4"	M52X2	54	30	66.68	95	31.75	77.2	83.2	98	16	15	46	M14X50	2.08	
	SFCE 6005/S38	350	1 1/2"	M52X2	63.5	30	79.38	113	36.5	95	89.2	104	16	17	46	M16X55	3.03	

Order information:

Flange joint body SFCE...
 Flange combination (including bolts, and O-rings) SFCE...M
 Flange combination (including bolts, O-rings, ferrules, and nuts) SFCE...M(M)

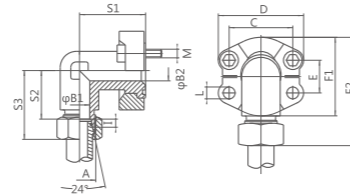
Ferrule type flange joint

Ferrule type flange joint

SAE-Right angle waist flange joint

Characteristics

Structure type: SAE-waist flange joint
 Structure form: Through
 Fixed: Screw hole
 Standard: SAE J518C,ISO 6162
 Material: carbon steel
 Surface protection: Trivalent chromium environmental protection zinc



Model PSI	Code PART NO.	Working pressure BAR	Nominal size S.A.E	DIMENSIONS													Bolt M	Weight kg
				A	B1	B2	C	D	E	F1	F2	I	L	S1	S2	S3		
3000PSI	WFG 3001/L15	315	1/2"	M22X1.5	12	11	38.1	54	17.48	66.8	45.6	7	9	39	29	44	M8X25	0.39
	WFG 3001/S16	350	1/2"	M24X1.5	12	11	38.1	54	17.48	70.8	45.6	8.5	9	39	29.5	48	M8X25	0.43
	WFG 3002/L18	315	3/4"	M26X1.5	15	19	47.63	64.9	22.23	73.9	51.8	7.5	11	42	31.5	48	M10X30	0.63
	WFG 3002/L22	160	3/4"	M30X2	19	19	47.63	64.9	22.23	75.9	51.8	7.5	11	42	33.5	50	M10X30	0.66
	WFG 3002/S20	350	3/4"	M30X2	6	19	47.63	64.9	22.23	79.9	51.8	10.5	11	42	32.5	54	M10X30	0.71
	WFG 3002/S25	350	3/4"	M36X2	17	19	47.63	64.9	22.23	82.9	51.8	12	11	42	33	57	M10X30	0.84
	WFG 3003/L28	160	1"	M36X2	24	25	52.37	69.9	26.19	82.2	58.4	7.5	11	45	36.5	53	M10X30	0.82
	WFG 3003/S25	350	1"	M36X2	20	25	52.37	69.9	26.19	91.2	58.4	12	11	45	38	62	M10X30	0.94
	WFG 3003/S30	350	1"	M42X2	24	25	52.37	69.9	26.19	92.2	58.4	13.5	11	45	36.5	63	M10X30	1.02
	WFG 3004/L35	160	1 1/4"	M45X2	30	27	58.72	79.4	30.18	104.3	72.6	10.5	13	50	46.5	68	M12X40	1.19
	WFG 3004/S25	280	1 1/4"	M36X2	20	27	58.72	79.4	30.18	103.3	72.6	12	13	50	43	67	M12X40	1.40
	WFG 3004/S30	280	1 1/4"	M42X2	25	27	58.72	79.4	30.18	106.3	72.6	13.5	13	50	43.5	70	M12X40	1.48
	WFG 3004/S38	280	1 1/4"	M52X2	28	27	58.72	79.4	30.18	110.3	72.6	16	13	50	43	74	M12X40	1.55
	WFG 3005/L42	160	1 1/2"	M52X2	36	36	69.85	93.8	35.71	118.2	82.4	11	14	76	56	77	M12X35	1.97
	WFG 3005/S38	210	1 1/2"	M52X2	32	36	69.85	93.8	35.71	128.2	82.4	16	14	76	56	87	M12X35	2.12
6000PSI	WGF 6001/S16	400	1/2"	M24X1.5	12	12	40.49	56.4	18.24	71.6	47.2	8.5	9	39	24	48	M8X30	0.69
	WFG 6002/S16	400	3/4"	M24X1.5	12	17	50.8	71.3	23.8	85	60	8.5	11	48	30	55	M10X35	0.92
	WFG 6002/S20	400	3/4"	M30X2	16	17	50.8	71.3	23.8	87	60	10.5	11	48	30	57	M10X35	0.96
	WFG 6002/S25	400	3/4"	M36X2	17	17	50.8	71.3	23.8	90	60	12	11	48	30	60	M10X35	1.09
	WFG 6003/S25	400	1"	M36X2	20	24	57.15	81	27.76	99.8	69	12	13	60	36	65	M12X45	1.60
	WFG 6003/S30	400	1"	M42X2	24	24	57.15	81	27.76	102.85	69	13.5	13	60	41	68	M12X45	1.70
	WFG 6004/S30	400	1 1/4"	M42X2	25	31	66.68	95.2	31.75	109.6	77.2	13.5	15	68	41	71	M14X50	2.22
	WFG 6004/S38	350	1 1/4"	M52X2	28	31	66.68	95.2	31.75	114.6	77.2	16	15	68	41	76	M14X50	2.32
	WFG 6005/S38	350	1 1/2"	M52X2	30	36	79.38	112.8	36.5	134.5	95	16	17	76	46	87	M16X55	3.55

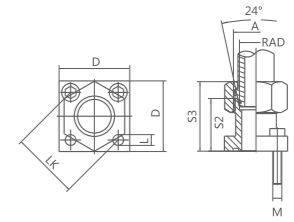
Order information:

Flange joint body WFG..
 Flange combination (including bolts, and O-rings) WFG..M
 Flange combination (including bolts, O-rings, ferrules, and nuts) WFG..M(M)

Straight through square flange joint

Characteristics

Structure type: Square flange joint
 Structure form: Through
 Fixed: Screw hole
 Standard: ISO 6164
 Material: carbon steel
 Surface protection: Trivalent chromium environmental protection zinc



LK	Code PART NO.	Working pressure BAR	RAD	DIMENSIONS						Bolt M	O-ring	Weight kg
				A	D	S2	S3	L				
35	GF 35LK-L10-315	315	L10	M16X1.5	39	30	39	6.4	M8X30	20x2.5	0.09	
35	GF 35LK-L12-315	315	L12	M18X1.5	39	30	39	6.4	M10X35	20x2.5	0.09	
35	GF 35LK-L15-250	250	L15	M22X1.5	39	30	38	6.4	M10X35	20x2.5	0.10	
35	GF 35LK-S16-315	315	S16	M24X1.5	39	30	39.5	6.4	M10X35	20x2.5	0.11	
40	GF 40LK-L15-100	100	L15	M22X1.5	42	35	43	6.4	M12X45	26x2.5	0.12	
40	GF 40LK-L18-100	100	L18	M26X1.5	42	35	44	6.4	M12X45	26x2.5	0.12	
40	GF 40LK-L22-100	100	L22	M30X2	42	35	44.5	6.4	M14X50	26x2.5	0.13	
40	GF 40LK-L28-100	100	L28	M36X2	42	35	44.5	6.4	M14X50	26x2.5	0.16	
55	GF 55LK-S20-250	250	S20	M30X2	55	35	51	6.4	M16X55	32x2.5	0.30	

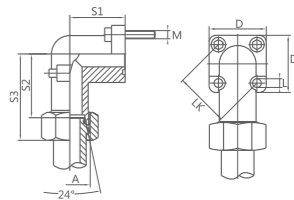
Order information:

Flange joint body (including bolts, and O-rings) GF..K
 Flange combination (including bolts, O-rings, ferrules, and nuts) GF..KM

Right angle square flange joint

Characteristics

Structure type: Square flange joint
 Structure form: Right angle
 Fixed: Screw hole
 Standard: ISO 6164
 Material: carbon steel
 Surface protection: Trivalent chromium environmental protection zinc



LK	Code PART NO.	LK	Working pressure BAR	RAD	DIMENSIONS						Bolt M	O-ring	Weight kg
					A	D	S1	S2	S3	L			
35	WF 35LK-L10-315	35	315	L10	M16X1.5	39	16.5	30.5	47	6.4	2-M6x22 2-M6x35	20x2.5	0.12
35	WF 35LK-L12-315	35	315	L12	M18X1.5	39	16.5	30.5	47	6.4	2-M6x22 2-M6x35	20x2.5	0.13
35	WF 35LK-L15-250	35	250	L15	M22X1.5	39	16.5	30	46	6.4	2-M6x22 2-M6x35	20x2.5	0.14
35	WF 35LK-L18-250	35	250	L18	M26X1.5	39	20	30	47.5	6.4	2-M6x22 2-M6x40	20x2.5	0.22
35	WF 35LK-S16-315	35	315	S16	M24X1.5	39	20	29.5	48	6.4	2-M6x22 2-M6x40	20x2.5	0.17
40	WF 40LK-S20-315	35	315	S20	M30X2	39	25	34.5	56	6.4	2-M6x22 2-M6x45	20x2.5	0.27
40	WF 40LK-L15-100	40	100	L15	M22X1.5	42	22.5	30	46	6.4	4-M6x22	26x2.5	0.15
40	WF 40LK-L18-100	40	100	L18	M26X1.5	42	22.5	30.5	47	6.4	4-M6x22	26x2.5	0.17
40	WF 40LK-L22-100	40	100	L22	M30X2	42	22.5	30.5	47.5	6.4	2-M6x22 2-M6x50	26x2.5	0.19
40	WF 40LK-L28-100	40	100	L28	M36X2	42	28	32.5	49	6.4	2-M6x22 2-M6x60	26x2.5	0.27
40	WF 40LK-L35-100	40	100	L35	M45X2	42	34	30.5	52	6.4	2-M6x22 2-M6x45	26x2.5	0.35
40	WF 40LK-S20-250	40	250	S20	M30X2	42	22.5	29.5	50	6.4	2-M8x25 2-M8x45	26x2.5	0.20
55	WF 55LK-L35-250	55	100	L35	M45X2	58	32	38.5	62	8.4	2-M8x25 2-M8x70	32x2.5	0.46
55	WF 55LK-L42-100	55	100	L42	M52X2	58	40	38	61	8.4	2-M8x25 2-M8x50	32x2.5	0.61
55	WF 55LK-S20-100	55	250	S20	M30X2	58	24	31.5	56	8.4	2-M8x25 2-M8x50	32x2.5	0.43
55	WF 55LK-S25-250	55	250	S25	M36X2	58	30	37	61	8.4	2-M8x25 2-M8x55	32x2.5	0.49
55	WF 55LK-S30-250	55	250	S30	M42X2	58	32	35.5	62	8.4	2-M8x25 2-M8x60	32x2.5	0.51

Order information:

Flange joint body (including bolts, and O-rings) WF..K
 Flange combination (including bolts, O-rings, ferrules, and nuts) WF..KM

Ferrule type flange joint

Ferrule type flange joint

Parameters	Page
------------	------

A	
AFLA3/AFL3	09
AFLA6/AFL6	09
AFSA3/AFS3	10
AFSA6/AFS6	11
AFW3/AFW6	11
AFC1/AFC4	12
B	
BS3/BS6	06
D	
DSFS3	07
DSFS6	08
F	
FH3/FH6	05
G	
GFC1/GFC4	13
GF	21
S	
SFS3	04
SFS6	05
SFCE3/SFCE6	19
V	
VF3/VF6	03

Parameters	Page
------------	------

VKA2/VKK2	14
VKA3/VKK3	15
VKA4/VKK4	16
VKA5/VKK5	17
W	
WFG3/WFG6	20
WF	21

A series of horizontal dashed lines for taking notes, spanning the width of the page.



 **0086-536-2143 000**

**Weifang Fortoone Hydraulic
Technology Co., Ltd.**

No.60 Zhujiang Road, Xin'an street, Anqiu City,
Weifang City, Shandong Province, China

E-mail: hongtao@fortoone.cn

www.fortoone.cn